



Message Implementation Documentation

Lear Corporate Standard Guideline EDIFACT Desadv D.97A

based on

DESADV

Despatch advice message

EDIFACT D.97A

- **Structure Chart**
- **Branching Diagram**
- **Segment Details**

Version: 1
Variant: 1
Issue date: 01.11.2010



Structure / Table of Contents

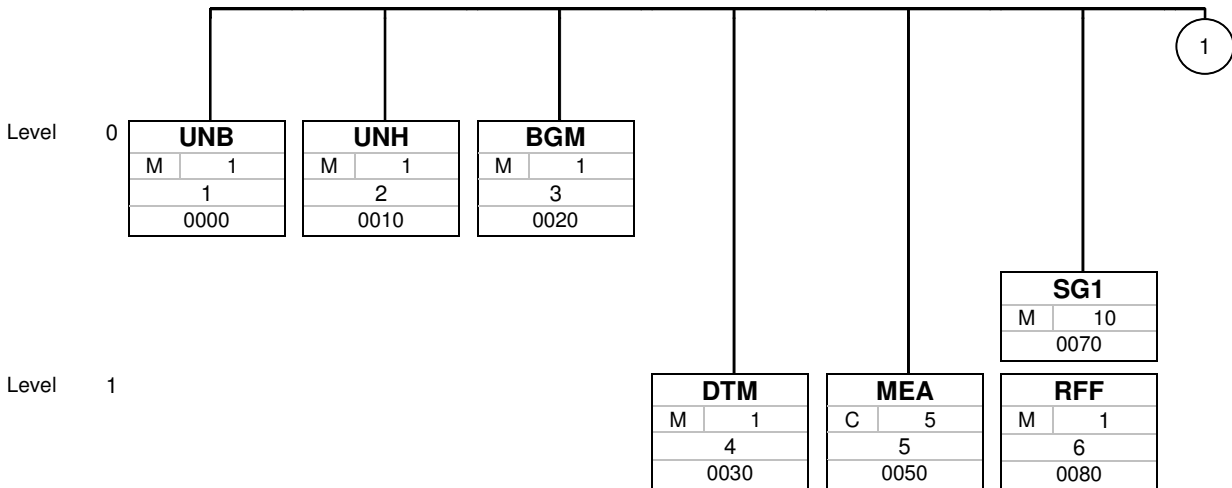
Counte	No	Tag	St	MaxOcc	Level	Content
	0000	1 UNB	M	1	0	Interchange Header
	0010	2 UNH	M	1	0	Message Header
	0020	3 BGM	M	1	0	Beginning of Message
	0030	4 DTM	M	1	1	Document Date and Time
	0050	5 MEA	C	5	1	Measurements
┌	0070	SG1	M	10	1	Carrier Reference Information
└	0080	6 RFF	M	1	1	Reference
┌	0100	SG2	M	1	1	Address and Location Information
└	0110	7 NAD	M	1	1	Name and Address
└	0120	8 LOC	M	1	2	Location
┌	0230	SG6	M	10	1	Transport Information
└	0240	9 TDT	M	1	1	Details of Transport
┌	0290	SG8	C	10	1	Equipment Detai Information
└	0300	10 EQD	M	1	1	Equipment Details
┌	0370	SG10	C	9999	1	Consignment Information
└	0380	11 CPS	M	1	1	Consignment Packing Sequence
┌	0410	SG11	C	9999	2	Package Information
└	0420	12 PAC	M	1	2	Package
┌	0480	SG13	C	1000	3	Package Reference Details
└	0490	13 PCI	M	1	3	Package Identification
└	0500	14 RFF	C	1	4	Label Reference
┌	0580	SG16	M	9999	2	Line Item Information
└	0590	15 LIN	M	1	2	Line Item Information
└	0600	16 PIA	C	10	3	Addition Part Number Information
└	0630	17 QTY	M	10	3	Quantity Information
└	0740	SG17	C	99	3	References for Part Number
└	0750	18 RFF	M	1	3	Reference
	1070	19 UNT	M	1	0	Message Trailer
	0000	20 UNZ	M	1	0	Interchange Trailer

Counter = Counter of segment/group within the standard
 No = Consecutive segment number
 MaxOcc = Maximum occurrence of the segment/group

St = Status
 EDIFACT: M=Mandatory, C=Conditional
 User specific: R=Required, O=Optional, D=Dependent,
 A=Advised, N=Not used



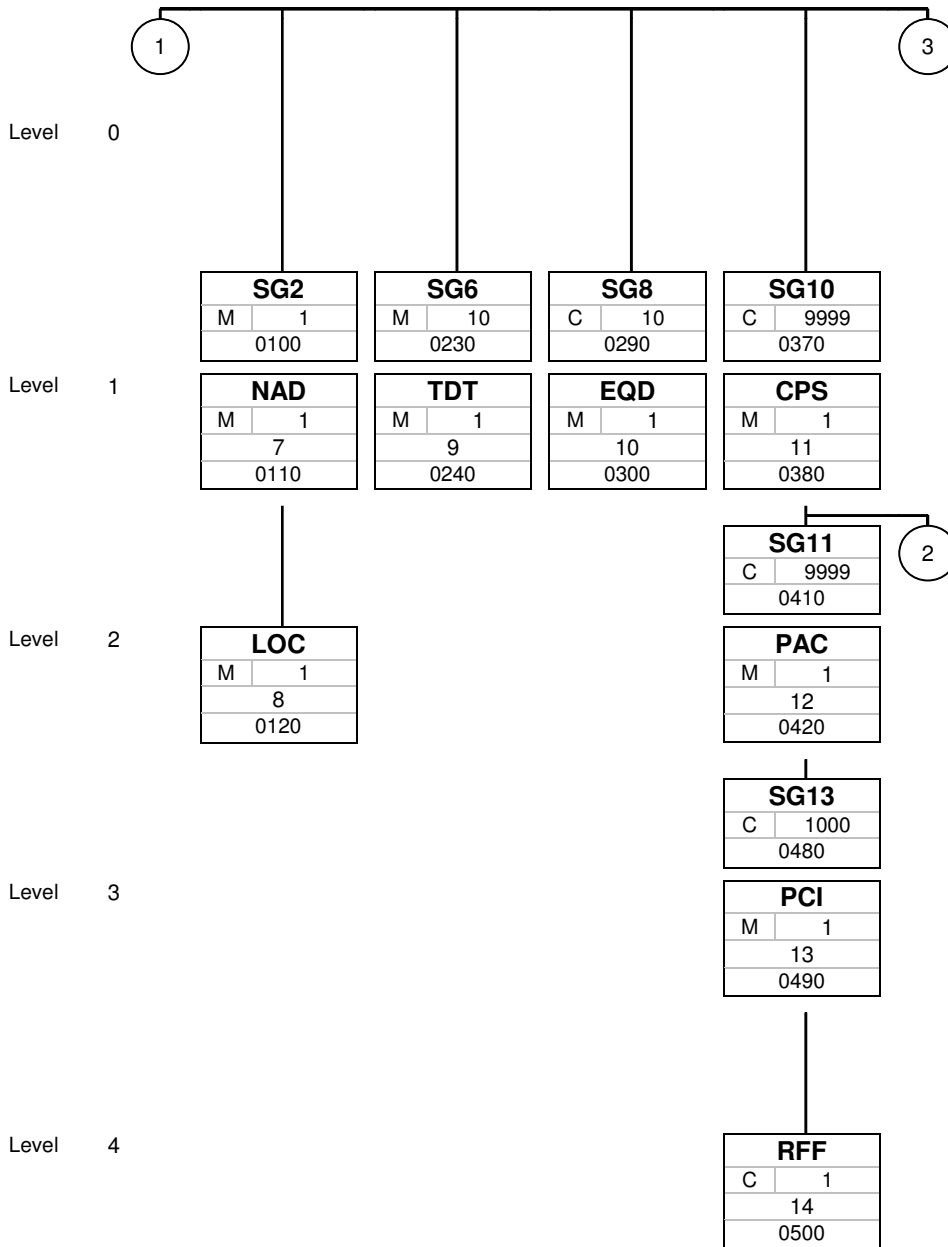
Branching Diagram of Used Segments/Groups



Tag
St MaxOcc
No
Counter

Tag = Segment/Group Tag
 St = Status (M=Mandatory, C=Conditional, R=Required, O=Optional, A=Advised, D=Dependent)
 MaxOcc = Maximum occurrence of the segment/group
 No = Consecutive segment number
 Counter = Counter of segment/group within the standard

Branching Diagram of Used Segments/Groups

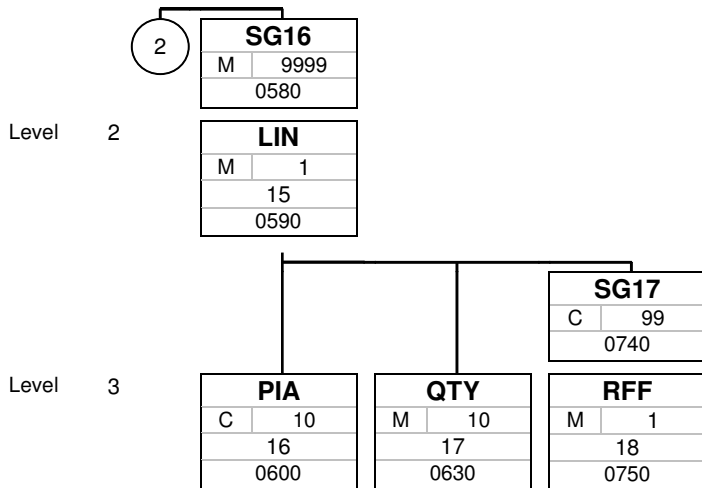


Tag
St MaxOcc
No
Counter

Tag = Segment/Group Tag
 St = Status (M=Mandatory, C=Conditional, R=Required, O=Optional, A=Advised, D=Dependent)
 MaxOcc = Maximum occurrence of the segment/group
 No = Consecutive segment number
 Counter = Counter of segment/group within the standard



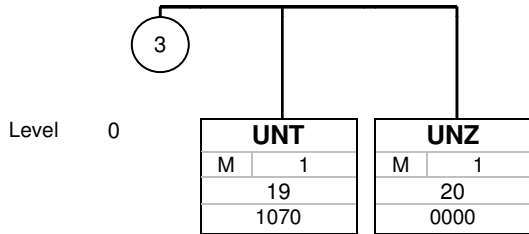
Branching Diagram of Used Segments/Groups



Tag
St MaxOcc
No
Counter

Tag = Segment/Group Tag
 St = Status (M=Mandatory, C=Conditional, R=Required, O=Optional, A=Advised, D=Dependent)
 MaxOcc = Maximum occurrence of the segment/group
 No = Consecutive segment number
 Counter = Counter of segment/group within the standard

Branching Diagram of Used Segments/Groups



Tag
St MaxOcc
No
Counter

Tag = Segment/Group Tag
 St = Status (M=Mandatory, C=Conditional, R=Required, O=Optional, A=Advised, D=Dependent)
 MaxOcc = Maximum occurrence of the segment/group
 No = Consecutive segment number
 Counter = Counter of segment/group within the standard



Segments

Counter	No	Tag	St	MaxOcc	Level	Name
0000	1	UNB	M	1	0	Interchange Header

Standard			Implementation	
Tag	Name	St Format	St Format	Usage / Remark
UNB				
S001	Syntax identifier	M	M	
0001	Syntax identifier	M a4	M a4	UNOA UN/ECE level A
0002	Syntax version number	M n1	M n1	2 Version 2
S002	Interchange sender	M	M	
0004	Sender identification	M an..35	M an..35	Sender ID of the Lear plant. This ID is given by Lear. See appendix 1) "Lear plant Code List" The entry is for data routing via Covisint mandatory; In case of VAN connection the Data Receiver needs to take care on the correct entries in the VAN Mailbox Configuration
0007	Partner identification code qualifier	C an..4	C an..4	30 ISO 6523: Organization identification Only used in case the Qualifier is used
0008	Address for reverse routing	C an..14	N	Not used
S003	Interchange recipient	M	M	
0010	Recipient identification	M an..35	M an..35	Receiver ID the supplier. The entry is for data routing via Covisint mandatory, in case of VAN connection the Data Receiver needs to take care on the correct entries in the VAN Mailbox Configuration
0007	Partner identification code qualifier	C an..4	C an..4	Only used in case the Qualifier is used
0014	Routing address	C an..14	N	Not used
S004	Date/time of preparation	M	M	
0017	Date of preparation	M n6	M n6	Format YYMMDD
0019	Time of preparation	M n4	M n4	Format HHMM
0020	Interchange control reference	M an..14	M an..14	Interchange Control Reference Number
S005	Recipient's reference, password	C	N	
0022	Recipient's reference/password	M an..14	N	Not used
0025	Recipient's reference/password qualifier	C an2	N	Not used
0026	Application reference	C an..14	N	Not used
0029	Processing priority code	C a1	N	Not used
0031	Acknowledgement request	C n1	N	Not used
0032	Communications agreement ID	C an..35	N	Not used
0035	Test indicator	C n1	N	Not used

Remark:

No = Consecutive segment number
 MaxOcc = Maximum occurrence of the segment/group
 Counter = Counter of segment/group within the standard

St = Status
 EDIFACT: M=Mandatory, C=Conditional
 User specific: R=Required, O=Optional, D=Dependent, A=Advised, N=Not used



Segments

Example:

UNB+UNOA:2+068527209:30+00013009948LEARSKSE:30+101001:2050+155825'

No = Consecutive segment number
MaxOcc = Maximum occurrence of the segment/group
Counter = Counter of segment/group within the standard

St = Status
EDIFACT: M=Mandatory, C=Conditional
User specific: R=Required, O=Optional, D=Dependent,
A=Advised, N=Not used



Segments

Counter	No	Tag	St	MaxOcc	Level	Name
0010	2	UNH	M	1	0	Message Header

Standard			Implementation	
Tag	Name	St Format	St Format	Usage / Remark
UNH				
0062	Message reference number	M an..14	M an..14	
S009	Message identifier	M	M	
0065	Message type identifier	M an..6	M an..6	DESADV Despatch advice message
0052	Message version number	M an..3	M an..3	D Draft version/UN/EDIFACT Directory
0054	Message release number	M an..3	M an..3	97A Release 1997 - A
0051	Controlling agency	M an..2	M an..2	UN UN/ECE/TRADE/WP.4
0057	Association assigned code	C an..6	N	Not used
0068	Common access reference	C an..35	N	Not used
S010	Status of the transfer	C	N	
0070	Sequence of transfers	M n..2	N	Not used
0073	First/last sequence message transfer indication	C a1	N	Not used

Remark:

Example:

UNH+138709+DESADV:D:97A:UN'

No = Consecutive segment number
 MaxOcc = Maximum occurrence of the segment/group
 Counter = Counter of segment/group within the standard

St = Status
 EDIFACT: M=Mandatory, C=Conditional
 User specific: R=Required, O=Optional, D=Dependent,
 A=Advised, N=Not used



Segments

Counter	No	Tag	St	MaxOcc	Level	Name
0020	3	BGM	M	1	0	Beginning of Message

Standard			Implementation	
Tag	Name	St Format	St Format	Usage / Remark
BGM				
C002	Document/message name	C	M	
1001	Document/message name, coded	C an..3	M an..3	351 Despatch advice Always Code "351"
1131	Code list qualifier	C an..3	N	Not used
3055	Code list responsible agency, coded	C an..3	N	Not used
1000	Document/message name	C an..35	N	Not used
C106	Document/message identification	C	M	
1004	Document/message number	C an..35	M an..35	Delivery Note Number
1056	Version	C an..9	N	Not used
1060	Revision number	C an..6	N	Not used
1225	Message function, coded	C an..3	C an..3	9 Original 5 Replace
4343	Response type, coded	C an..3	N	Not used

Remark:

Example:

BGM+351+80494369+9'

No = Consecutive segment number
 MaxOcc = Maximum occurrence of the segment/group
 Counter = Counter of segment/group within the standard

St = Status
 EDIFACT: M=Mandatory, C=Conditional
 User specific: R=Required, O=Optional, D=Dependent,
 A=Advised, N=Not used



Segments

Counter	No	Tag	St	MaxOcc	Level	Name
0030	4	DTM	M	1	1	Document Date and Time

Standard			Implementation	
Tag	Name	St Format	St Format	Usage / Remark
DTM				
C507	Date/time/period	M	M	
2005	Date/time/period qualifier	M an..3	M an..3	11 Despatch date and or time 137 Document/message date/time
2380	Date/time/period	C an..35	M an..35	CCYYMMDDHHMM
2379	Date/time/period format qualifier	C an..3	M an..3	203 CCYYMMDDHHMM

Remark:

Example:

DTM+11:201010012050:203'

No = Consecutive segment number
 MaxOcc = Maximum occurrence of the segment/group
 Counter = Counter of segment/group within the standard

St = Status
 EDIFACT: M=Mandatory, C=Conditional
 User specific: R=Required, O=Optional, D=Dependent,
 A=Advised, N=Not used



Segments

Counter	No	Tag	St	MaxOcc	Level	Name
0050	5	MEA	C	5	1	Measurements

Standard			Implementation	
Tag	Name	St Format	St Format	Usage / Remark
MEA				
6311	Measurement purpose qualifier	M an..3	M an..3	AAX Consignment measurement
C502	Measurement details	C	M	
6313	Property measured, coded	C an..3	M an..3	G Gross weight N Actual net weight SQ Shipped quantity Other Codes can be used based on the EDIFACT Code List
6321	Measurement significance, coded	C an..3	N	Not used
6155	Measurement attribute identification	C an..17	N	Not used
6154	Measurement attribute	C an..70	N	Not used
C174	Value/range	C	M	
6411	Measure unit qualifier	M an..3	M an..3	KGM kilogram EA each Other Codes can be used based on the EDIFACT Code List
6314	Measurement value	C an..18	M an..18	Value
6162	Range minimum	C n..18	N	Not used
6152	Range maximum	C n..18	N	Not used
6432	Significant digits	C n..2	N	Not used
7383	Surface/layer indicator, coded	C an..3	N	Not used

Remark:

Example:

MEA+AAX+G+KGM: 48 '

No = Consecutive segment number
 MaxOcc = Maximum occurrence of the segment/group
 Counter = Counter of segment/group within the standard

St = Status
 EDIFACT: M=Mandatory, C=Conditional
 User specific: R=Required, O=Optional, D=Dependent,
 A=Advised, N=Not used



Segments

Counter	No	Tag	St	MaxOcc	Level	Name
0070		SG1	M	10	1	Carrier Reference Information
0080	6	RFF	M	1	1	Reference

Standard			Implementation	
Tag	Name	St Format	St Format	Usage / Remark
RFF				
C506	Reference	M	M	
1153	Reference qualifier	M an..3	M an..3	CN Carrier's reference number
1154	Reference number	C an..35	M an..35	Carriers Reference Number based on the Identification in Tag 1153
1156	Line number	C an..6	N	Not used
4000	Reference version number	C an..35	N	Not used
1060	Revision number	C an..6	N	Not used

Remark:

Example:

RFF+CN:0080494369'

No = Consecutive segment number
 MaxOcc = Maximum occurrence of the segment/group
 Counter = Counter of segment/group within the standard

St = Status
 EDIFACT: M=Mandatory, C=Conditional
 User specific: R=Required, O=Optional, D=Dependent,
 A=Advised, N=Not used



Segments

Counter	No	Tag	St	MaxOcc	Level	Name
0100		SG2	M	1	1	Address and Location Information
0110	7	NAD	M	1	1	Name and Address

Standard			Implementation	
Tag	Name	St Format	St Format	Usage / Remark
NAD				
3035	Party qualifier	M an..3	M an..3	ST Ship to SU Supplier
C082	Party identification details	C	M	
3039	Party identification	M an..35	M an..35	
1131	Code list qualifier	C an..3	C an..3	not used
3055	Code list responsible agency, coded	C an..3	M an..3	16 DUNS (Dun & Bradstreet) 92 Assigned by buyer or buyer's agent Lear Plant Code
C058	Name and address	C	N	
3124	Name and address line	M an..35	N	Not used
3124	Name and address line	C an..35	N	Not used
3124	Name and address line	C an..35	N	Not used
3124	Name and address line	C an..35	N	Not used
3124	Name and address line	C an..35	N	Not used
C080	Party name	C	N	
3036	Party name	M an..35	N	Not used
3036	Party name	C an..35	N	Not used
3036	Party name	C an..35	N	Not used
3036	Party name	C an..35	N	Not used
3036	Party name	C an..35	N	Not used
3036	Party name	C an..35	N	Not used
3045	Party name format, coded	C an..3	N	Not used
C059	Street	C	N	
3042	Street and number/p.o. box	M an..35	N	Not used
3042	Street and number/p.o. box	C an..35	N	Not used
3042	Street and number/p.o. box	C an..35	N	Not used
3042	Street and number/p.o. box	C an..35	N	Not used
3164	City name	C an..35	N	Not used
3229	Country sub-entity identification	C an..9	N	Not used
3251	Postcode identification	C an..9	N	Not used
	Country, coded		N	Not used

No = Consecutive segment number
 MaxOcc = Maximum occurrence of the segment/group
 Counter = Counter of segment/group within the standard

St = Status
 EDIFACT: M=Mandatory, C=Conditional
 User specific: R=Required, O=Optional, D=Dependent,
 A=Advised, N=Not used



Segments

		Standard	Implementation	
Tag	Name	St Format	St Format	Usage / Remark
3207		C an..3		

Remark:

Example:

NAD+ST+LEARSENEC:::92'

No = Consecutive segment number
 MaxOcc = Maximum occurrence of the segment/group
 Counter = Counter of segment/group within the standard

St = Status
 EDIFACT: M=Mandatory, C=Conditional
 User specific: R=Required, O=Optional, D=Dependent,
 A=Advised, N=Not used



Segments

Counter	No	Tag	St	MaxOcc	Level	Name
0100		SG2	M	1	1	Address and Location Information
0120	8	LOC	M	1	2	Location

Standard			Implementation	
Tag	Name	St Format	St Format	Usage / Remark
LOC				
3227	Place/location qualifier	M an..3	M an..3	11 Place/port of discharge
C517	Location identification	C	C	
3225	Place/location identification	C an..25	M an..25	Lear Plant Dock Code
1131	Code list qualifier	C an..3	N	Not used
3055	Code list responsible agency, coded	C an..3	N	Not used
3224	Place/location	C an..70	N	Not used
C519	Related location one identification	C	N	
3223	Related place/location one identification	C an..25	N	Not used
1131	Code list qualifier	C an..3	N	Not used
3055	Code list responsible agency, coded	C an..3	N	Not used
3222	Related place/location one	C an..70	N	Not used
C553	Related location two identification	C	N	
3233	Related place/location two identification	C an..25	N	Not used
1131	Code list qualifier	C an..3	N	Not used
3055	Code list responsible agency, coded	C an..3	N	Not used
3232	Related place/location two	C an..70	N	Not used
5479	Relation, coded	C an..3	N	Not used

Remark:

Example:

LOC+11+DOCK1'

No = Consecutive segment number
 MaxOcc = Maximum occurrence of the segment/group
 Counter = Counter of segment/group within the standard

St = Status
 EDIFACT: M=Mandatory, C=Conditional
 User specific: R=Required, O=Optional, D=Dependent, A=Advised, N=Not used



Segments

Counter	No	Tag	St	MaxOcc	Level	Name
0230		SG6	M	10	1	Transport Information
0240	9	TDT	M	1	1	Details of Transport

Standard			Implementation	
Tag	Name	St Format	St Format	Usage / Remark
TDT				
8051	Transport stage qualifier	M an..3	M an..3	12 At departure 11 At border 13 At destination 1 Inland transport
8028	Conveyance reference number	C an..17	C an..17	not used
C220	Mode of transport	C	M	
8067	Mode of transport, coded	C an..3	M an..3	3 Road transport 1 Maritime transport 2 Rail transport 4 Air transport
8066	Mode of transport	C an..17	N	Not used
C228	Transport means	C	N	
8179	Type of means of transport identification	C an..8	N	Not used
8178	Type of means of transport	C an..17	N	Not used
C040	Carrier	C	C	
3127	Carrier identification	C an..17	C an..17	
1131	Code list qualifier	C an..3	C an..3	not always used by Lear
3055	Code list responsible agency, coded	C an..3	C an..3	92 Assigned by buyer or buyer's agent
3128	Carrier name	C an..35	N	Not used
8101	Transit direction, coded	C an..3	N	Not used
C401	Excess transportation information	C	N	
8457	Excess transportation reason, coded	M an..3	N	Not used
8459	Excess transportation responsibility, coded	M an..3	N	Not used
7130	Customer authorization number	C an..17	N	Not used
C222	Transport identification	C	N	
8213	Id. of means of transport identification	C an..9	N	Not used
1131	Code list qualifier	C an..3	N	Not used

No = Consecutive segment number
 MaxOcc = Maximum occurrence of the segment/group
 Counter = Counter of segment/group within the standard

St = Status
 EDIFACT: M=Mandatory, C=Conditional
 User specific: R=Required, O=Optional, D=Dependent,
 A=Advised, N=Not used



Segments

		Standard	Implementation	
Tag	Name	St Format	St Format	Usage / Remark
3055	Code list responsible agency, coded	C an..3	N	Not used
8212	Id. of the means of transport	C an..35	N	Not used
8453	Nationality of means of transport, coded	C an..3	N	Not used
8281	Transport ownership, coded	C an..3	N	Not used

Remark:

Example:

TDT+12++3++: :92'

No = Consecutive segment number
 MaxOcc = Maximum occurrence of the segment/group
 Counter = Counter of segment/group within the standard

St = Status
 EDIFACT: M=Mandatory, C=Conditional
 User specific: R=Required, O=Optional, D=Dependent,
 A=Advised, N=Not used



Segments

Counter	No	Tag	St	MaxOcc	Level	Name
0290		SG8	C	10	1	Equipment Detai Information
0300	10	EQD	M	1	1	Equipment Details

Standard			Implementation	
Tag	Name	St Format	St Format	Usage / Remark
EQD				
8053	Equipment qualifier	M an..3	M an..3	TE Trailer
C237	Equipment identification	C	C	
8260	Equipment identification number	C an..17	M an..17	e.g. Trailer Number
1131	Code list qualifier	C an..3	N	Not used
3055	Code list responsible agency, coded	C an..3	N	Not used
3207	Country, coded	C an..3	N	Not used
C224	Equipment size and type	C	N	
8155	Equipment size and type identification	C an..10	N	Not used
1131	Code list qualifier	C an..3	N	Not used
3055	Code list responsible agency, coded	C an..3	N	Not used
8154	Equipment size and type	C an..35	N	Not used
8077	Equipment supplier, coded	C an..3	N	Not used
8249	Equipment status, coded	C an..3	N	Not used
8169	Full/empty indicator, coded	C an..3	N	Not used

Remark:

Example:

EQD+TE+UNKNOWN'

No = Consecutive segment number
 MaxOcc = Maximum occurrence of the segment/group
 Counter = Counter of segment/group within the standard

St = Status
 EDIFACT: M=Mandatory, C=Conditional
 User specific: R=Required, O=Optional, D=Dependent,
 A=Advised, N=Not used



Segments

Counter	No	Tag	St	MaxOcc	Level	Name
0370		SG10	C	9999	1	Consignment Information
0380	11	CPS	M	1	1	Consignment Packing Sequence

Standard			Implementation	
Tag	Name	St Format	St Format	Usage / Remark
CPS				
7164	Hierarchical id. number	M an..12	M an..12	
7166	Hierarchical parent id.	C an..12	C an..12	Pack Hierachial Parent ID
7075	Packaging level, coded	C an..3	C an..3	1 Inner 3 Outer 4 No packaging hierarchy 2 Intermediate

Remark:

Example:
CPS+1+++4'

No = Consecutive segment number
 MaxOcc = Maximum occurrence of the segment/group
 Counter = Counter of segment/group within the standard

St = Status
 EDIFACT: M=Mandatory, C=Conditional
 User specific: R=Required, O=Optional, D=Dependent,
 A=Advised, N=Not used



Segments

Counter	No	Tag	St	MaxOcc	Level	Name
0410		SG11	C	9999	2	Package Information
0420	12	PAC	M	1	2	Package

Standard			Implementation	
Tag	Name	St Format	St Format	Usage / Remark
PAC				
7224	Number of packages	C n..8	M n..8	Number of Packages
C531	Packaging details	C	N	
7075	Packaging level, coded	C an..3	N	Not used
7233	Packaging related information, coded	C an..3	N	Not used
7073	Packaging terms and conditions, coded	C an..3	N	Not used
C202	Package type	C	C	
7065	Type of packages identification	C an..17	C an..17	KLT Codes individual given by Lear Plant
1131	Code list qualifier	C an..3	N	Not used
3055	Code list responsible agency, coded	C an..3	N	Not used
7064	Type of packages	C an..35	N	Not used
C402	Package type identification	C	C	
7077	Item description type, coded	M an..3	M an..3	A Free-form long description Other Codes based on the EDIFACT Code List
7064	Type of packages	M an..35	M an..35	
7143	Item number type, coded	C an..3	N	Not used
7064	Type of packages	C an..35	N	Not used
7143	Item number type, coded	C an..3	N	Not used
C532	Returnable package details	C	N	
8395	Returnable package freight payment responsibility, coded	C an..3	N	Not used
8393	Returnable package load contents, coded	C an..3	N	Not used

Remark:

Example:

PAC+2+++KLT+A:PALLET'

No = Consecutive segment number
 MaxOcc = Maximum occurrence of the segment/group
 Counter = Counter of segment/group within the standard

St = Status
 EDIFACT: M=Mandatory, C=Conditional
 User specific: R=Required, O=Optional, D=Dependent,
 A=Advised, N=Not used



Segments

Counter	No	Tag	St	MaxOcc	Level	Name
0480		SG13	C	1000	3	Package Reference Details
0490	13	PCI	M	1	3	Package Identification

Standard			Implementation	
Tag	Name	St Format	St Format	Usage / Remark
PCI				
4233	Marking instructions, coded	C an..3	C an..3	17 Seller's instructions
C210	Marks & labels	C	N	
7102	Shipping marks	M an..35	N	Not used
7102	Shipping marks	C an..35	N	Not used
7102	Shipping marks	C an..35	N	Not used
7102	Shipping marks	C an..35	N	Not used
7102	Shipping marks	C an..35	N	Not used
7102	Shipping marks	C an..35	N	Not used
7102	Shipping marks	C an..35	N	Not used
7102	Shipping marks	C an..35	N	Not used
7102	Shipping marks	C an..35	N	Not used
8275	Container or package state, coded	C an..3	C an..3	
C827	Type of marking	C	M	
7511	Type of marking, coded	M an..3	M an..3	G Mixed Handling Unit S Simplified Handling Unit M Homogenous Handling Unit
1131	Code list qualifier	C an..3	N	Not used
3055	Code list responsible agency, coded	C an..3	C an..3	10 ODETTE

Remark:

Example:

PCI+17+++S::10'

No = Consecutive segment number
 MaxOcc = Maximum occurrence of the segment/group
 Counter = Counter of segment/group within the standard

St = Status
 EDIFACT: M=Mandatory, C=Conditional
 User specific: R=Required, O=Optional, D=Dependent,
 A=Advised, N=Not used



Segments

Counter	No	Tag	St	MaxOcc	Level	Name
0480		SG13	C	1000	3	Package Reference Details
0500	14	RFF	C	1	4	Label Reference

Standard			Implementation	
Tag	Name	St Format	St Format	Usage / Remark
RFF				
C506	Reference	M	M	
1153	Reference qualifier	M an..3	M an..3	AAT Master label number
1154	Reference number	C an..35	C an..35	Master Label Number
1156	Line number	C an..6	N	Not used
4000	Reference version number	C an..35	N	Not used
1060	Revision number	C an..6	N	Not used

Remark:

Example:

RFF+AAT:M123456789'

No = Consecutive segment number
 MaxOcc = Maximum occurrence of the segment/group
 Counter = Counter of segment/group within the standard

St = Status
 EDIFACT: M=Mandatory, C=Conditional
 User specific: R=Required, O=Optional, D=Dependent,
 A=Advised, N=Not used



Segments

Counter	No	Tag	St	MaxOcc	Level	Name
0580		SG16	M	9999	2	Line Item Information
0590	15	LIN	M	1	2	Line Item Information

Standard			Implementation	
Tag	Name	St Format	St Format	Usage / Remark
LIN				
1082	Line item number	C an..6	M an..6	Position Number on Delivery Note
1229	Action request/notification, coded	C an..3	C an..3	not used by Lear
C212	Item number identification	C	M	
7140	Item number	C an..35	M an..35	Lear Part Number
7143	Item number type, coded	C an..3	M an..3	IN Buyer's item number
1131	Code list qualifier	C an..3	N	Not used
3055	Code list responsible agency, coded	C an..3	N	Not used
C829	Sub-line information	C	N	
5495	Sub-line indicator, coded	C an..3	N	Not used
1082	Line item number	C an..6	N	Not used
1222	Configuration level	C n..2	N	Not used
7083	Configuration, coded	C an..3	N	Not used

Remark:

Example:

LIN+1++L0135334AE01:IN'

No = Consecutive segment number
 MaxOcc = Maximum occurrence of the segment/group
 Counter = Counter of segment/group within the standard

St = Status
 EDIFACT: M=Mandatory, C=Conditional
 User specific: R=Required, O=Optional, D=Dependent, A=Advised, N=Not used



Segments

Counter	No	Tag	St	MaxOcc	Level	Name
0580		SG16	M	9999	2	Line Item Information
0600	16	PIA	C	10	3	Addition Part Number Information

Standard			Implementation	
Tag	Name	St Format	St Format	Usage / Remark
PIA				
4347	Product id. function qualifier	M an..3	M an..3	always code "1" - Additional Information
C212	Item number identification	M	M	
7140	Item number	C an..35	C an..35	
7143	Item number type, coded	C an..3	M an..3	EC Engineering change level
1131	Code list qualifier	C an..3	N	Not used
3055	Code list responsible agency, coded	C an..3	N	Not used
C212	Item number identification	C	N	
7140	Item number	C an..35	N	Not used
7143	Item number type, coded	C an..3	N	Not used
1131	Code list qualifier	C an..3	N	Not used
3055	Code list responsible agency, coded	C an..3	N	Not used
C212	Item number identification	C	N	
7140	Item number	C an..35	N	Not used
7143	Item number type, coded	C an..3	N	Not used
1131	Code list qualifier	C an..3	N	Not used
3055	Code list responsible agency, coded	C an..3	N	Not used
C212	Item number identification	C	N	
7140	Item number	C an..35	N	Not used
7143	Item number type, coded	C an..3	N	Not used
1131	Code list qualifier	C an..3	N	Not used
3055	Code list responsible agency, coded	C an..3	N	Not used
C212	Item number identification	C	N	
7140	Item number	C an..35	N	Not used
7143	Item number type, coded	C an..3	N	Not used
1131	Code list qualifier	C an..3	N	Not used
3055	Code list responsible agency, coded	C an..3	N	Not used

No = Consecutive segment number
 MaxOcc = Maximum occurrence of the segment/group
 Counter = Counter of segment/group within the standard

St = Status
 EDIFACT: M=Mandatory, C=Conditional
 User specific: R=Required, O=Optional, D=Dependent,
 A=Advised, N=Not used



Segments

		Standard	Implementation	
Tag	Name	St Format	St Format	Usage / Remark
	coded			

Remark:

Example:

PIA+1+987654321:EC'

No = Consecutive segment number
 MaxOcc = Maximum occurrence of the segment/group
 Counter = Counter of segment/group within the standard

St = Status
 EDIFACT: M=Mandatory, C=Conditional
 User specific: R=Required, O=Optional, D=Dependent,
 A=Advised, N=Not used



Segments

Counter	No	Tag	St	MaxOcc	Level	Name
	0580	SG16	M	9999	2	Line Item Information
	0630	17 QTY	M	10	3	Quantity Information

Standard			Implementation	
Tag	Name	St Format	St Format	Usage / Remark
QTY				
C186	Quantity details	M	M	
6063	Quantity qualifier	M an..3	M an..3	3 Cumulative quantity 12 Despatch quantity
6060	Quantity	M n..15	M n..15	Quantity based on Identification in TAG 6063
6411	Measure unit qualifier	C an..3	M an..3	EA each

Remark:

Example:

QTY+12:5800:EA'

No = Consecutive segment number
 MaxOcc = Maximum occurrence of the segment/group
 Counter = Counter of segment/group within the standard

St = Status
 EDIFACT: M=Mandatory, C=Conditional
 User specific: R=Required, O=Optional, D=Dependent,
 A=Advised, N=Not used



Segments

Counter	No	Tag	St	MaxOcc	Level	Name
	0740	SG17	C	99	3	References for Part Number
	0750	RFF	M	1	3	Reference

Standard			Implementation	
Tag	Name	St Format	St Format	Usage / Remark
RFF				
C506	Reference	M	M	
1153	Reference qualifier	M an..3	M an..3	ON Order number (purchase)
1154	Reference number	C an..35	M an..35	Purchase Order Number
1156	Line number	C an..6	N	Not used
4000	Reference version number	C an..35	N	Not used
1060	Revision number	C an..6	N	Not used

Remark:

Example:

RFF+ON:00200584'

No = Consecutive segment number
 MaxOcc = Maximum occurrence of the segment/group
 Counter = Counter of segment/group within the standard

St = Status
 EDIFACT: M=Mandatory, C=Conditional
 User specific: R=Required, O=Optional, D=Dependent,
 A=Advised, N=Not used



Segments

Counter	No	Tag	St	MaxOcc	Level	Name
1070	19	UNT	M	1	0	Message Trailer

Standard			Implementation	
Tag	Name	St Format	St Format	Usage / Remark
UNT				
0074	Number of segments in the message	M n..6	M n..6	
0062	Message reference number	M an..14	M an..14	

Remark:

Example:

UNT+16+138709'

No = Consecutive segment number
 MaxOcc = Maximum occurrence of the segment/group
 Counter = Counter of segment/group within the standard

St = Status
 EDIFACT: M=Mandatory, C=Conditional
 User specific: R=Required, O=Optional, D=Dependent,
 A=Advised, N=Not used



Segments

Counter	No	Tag	St	MaxOcc	Level	Name
0000	20	UNZ	M	1	0	Interchange Trailer

Standard			Implementation	
Tag	Name	St Format	St Format	Usage / Remark
UNZ				
0036	Interchange control count	M n..6	M n..6	
0020	Interchange control reference	M an..14	M an..14	

Remark:

Example:

UNZ+1+155825'

No = Consecutive segment number
 MaxOcc = Maximum occurrence of the segment/group
 Counter = Counter of segment/group within the standard

St = Status
 EDIFACT: M=Mandatory, C=Conditional
 User specific: R=Required, O=Optional, D=Dependent,
 A=Advised, N=Not used

Segments

Appendix 1: Lear Sender Codes / Lear Plant Codes

Lear Plant	Country	LEAR customer ID	EDI Responsible	E-Mail	Preferred EDI Format
Genk	Belgium	LEARL6	Chuptys, Janusz	JChuptys@lear.com	EDIFACT
Eisenach	Germany	LEARAA	Sieder, Jens	JSieder@lear.com	VDA
Gustavsburg Plant	Germany	LEARAI	Barth, Thomas	TBarth@LEAR.com	VDA
Quakenbruck	Germany	LEARHB	Ewers, Guenter	GEwers@LEAR.com	VDA
Rietberg	Germany	LEARHD	Ewers, Guenter	GEwers@LEAR.com	VDA
Jaroslaw	Poland	LEAR265	Zagala, Jacek	JZagala@lear.com	EDIFACT
Tychy Metals	Poland	LEAR281	Zagala, Jacek	JZagala@lear.com	EDIFACT
Tychy 2 & 1	Poland	LEAR283	Zagala, Jacek	JZagala@lear.com	EDIFACT
Trnava Senec (Bratislava)	Slovakia	LEAR273	Zagala, Jacek	JZagala@lear.com	EDIFACT
Presov	Slovakia	LEAR274	Zagala, Jacek	JZagala@lear.com	EDIFACT
Coventry (Crosspoint)	UK	LEARD7	Clegg, Andrew	AClegg@lear.com	EDIFACT
Redditch	UK	LEARD7X	Clegg, Andrew	AClegg@lear.com	EDIFACT
Sunderland	UK	LEAR141	Clegg, Andrew	AClegg@lear.com	EDIFACT
Kaluga	Russia	LEARBX	Zagala, Jacek	JZagala@lear.com	EDIFACT
St. Petersburg	Russia	LEARBV	Zagala, Jacek	JZagala@lear.com	EDIFACT
Trollhattan	Sweden	LEARE4	Kvartsberg, Lars-Erik	LKvartsberg@lear.com	ODETTE
Nizhny Novgorod	Russia	LEAR112	Zagala, Jacek	JZagala@lear.com	EDIFACT
Port Elizabeth	S Africa	LEARX86	Cummings, Robert	RCummings01@lear.com	
Logrono	Spain	LEARBC	Marcaida, Jose Antonic	JMarcaida01@lear.com	EDIFACT
Bursa	Turkey	LEARBQ	Bedri Ozgur	BOzgur@lear.com	ODETTE
Kolin	Czech	LEAR262A	Fages, Aline	AFages@lear.com	ODETTE
Cergy	France	LEAR124	Fages, Aline	AFages@lear.com	ODETTE
Courbouton	France	LEAR239	Fages, Aline	AFages@lear.com	ODETTE
Feignies	France	LEAR215A	Fages, Aline	AFages@lear.com	ODETTE
Caivano	Italy	LEAR102	Salemme, Bianca	BSalemme@lear.com	ODETTE
Cassino	Italy	LEAR103	Salemme, Bianca	BSalemme@lear.com	ODETTE
Grugliasco	Italy	LEAR105	Salemme, Bianca	BSalemme@lear.com	ODETTE
Grugliasco Fiat Div	Italy	LEARJ82	Salemme, Bianca	BSalemme@lear.com	ODETTE
Melfi	Italy	LEAR104	Salemme, Bianca	BSalemme@lear.com	ODETTE
Pozzo	Italy	LEARX6	Salemme, Bianca	BSalemme@lear.com	ODETTE
Termini	Italy	LEAR110	Salemme, Bianca	BSalemme@lear.com	ODETTE
Tangier	Morocco	LEAR221	Fages, Aline	AFages@lear.com	EDIFACT
Epila	Spain	LEARBB	Arteaga, Juan Carlos	JArteaga@lear.com	EDIFACT
Valdemoro	Spain	LEAR212	Fages, Aline	AFages@lear.com	ODETTE
Tachov	Czech	LEAR732	Sommer, Karolin	KSommer@lear.com	VDA
Garching	Germany	LEARI6	Sommer, Karolin	KSommer@lear.com	VDA
Wackersdorf	Germany	LEARIC	Sommer, Karolin	KSommer@lear.com	VDA
Gyor	Hungary	LEARX5	Fedornyak, Ivan	IFedornyak@LEAR.com	VDA
Mor	Hungary	LEARX4	Kancz, Ferenc	FKancz@lear.com	VDA
East London	S Africa	LEARX8	Krug, Murray	MKrug@lear.com	VDA
Roslyn	S Africa	LEARX82	Pretorius, Gerrie	GPretorius@lear.com	ODETTE
Besigheim	Germany	LEARX2	Piri, Tamas	TPiri@LEAR.com	VDA
Bremen	Germany	LEARX1	Heckmann, Petra	PHeckmann@lear.com	VDA
Ungheni	Moldova	LEARBZ	Fages, Aline	AFages@lear.com	EDIFACT

No = Consecutive segment number
 MaxOcc = Maximum occurrence of the segment/group
 Counter = Counter of segment/group within the standard

St = Status
 EDIFACT: M=Mandatory, C=Conditional
 User specific: R=Required, O=Optional, D=Dependent,
 A=Advised, N=Not used